



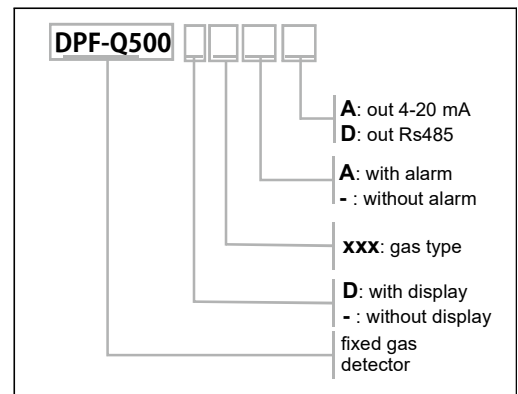
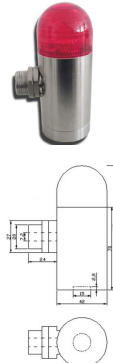
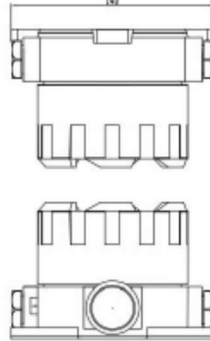
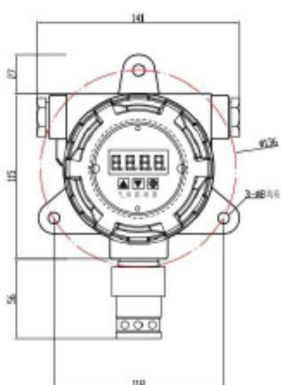
DPF-Q500D GAS DETECTOR

DPF-Q500 GAS DETECTOR, without display

DPF-Q500D series fixed gas detector is also called gas sensor. It transforms the gas density in the operating site into standard electric current signal(4-20mA). With or without display, detector's sensor can be changed and reused as soon as it is connected to electricity.

DPF-Q500D detector has excellent performance, stable operation, easy maintenance. detector can detect various gas, it meet various requirements in the operation site; it has been widely used in petrol, chemistry, metallurgy, artifice, gas transportation, biological medicine and water procession etc.

Detecting Gas	combustible gas, toxic gas, oxygen
Measuring Range	see the chart
Working Voltage	24VDC±15%
Signal output	4~20mA linear current output; 3 WIRES
Deviation	≤± 3% F.S
Respond Time	T90 < 30 s
Recovering time	≤ 30 s
Display model	LED display
Working Temperature	toxic gas: - 20 °C ~ + 50 °C
	Combustible gas: - 40 °C ~ + 70 °C
Working Humidity	10-95% R.H.(no condensation)
Explosion-proof level	Exd IICT6(used for explosion proofing detector) ;
	ExialICT4(used for intrinsic safety type detector)
Protection Class	IP66
Transition cable	three core shield cable RVVP 3×1.5mm ² ; 4×1.5mm ²
Transmission distance	≤1000m
Weight	about 1.5kg



Product Information Chart

Product Model	Detected Gas	Measuring Range	Resolution	Respond Time (T90)	Low Alarm	High Alarm	Sensor Life (Year)
DPFQ 5000-EX	combustible gas (EX)	0-100%LEL	1%LEL	≤30s	20%LEL	50%LEL	3..5
DPFQ 5000-O2	O ₂	0-30%vol	0.1%vol	≤15s	18.5%vol	23%vol	2..3
DPFQ 5000-CO	CO	0-1000 ppm	1 ppm	≤15s	50 ppm	150 ppm	2..3
DPFQ 5000-H2S	H ₂ S	0-100 ppm	1 ppm		10 ppm	15 ppm	2..3
DPFQ 5000-HCN	HCN	0-50 ppm	0.1ppm	≤30s	5 ppm	10 ppm	2..3
DPFQ 5000-CL2	CL ₂	0-20 ppm	0.1 ppm	≤30s	2 ppm	5 ppm	2..3
DPFQ 5000-O3	O ₃	0-5 ppm 0-100 ppm	0.1 ppm 1ppm	≤25s	0.1 ppm	0.5 ppm	2..3
DPFQ 5000-NH3	NH ₃	0-100 ppm	1 ppm	≤30s	25 ppm	50 ppm	2..3
DPFQ 5000-H2	H ₂	0-1000 ppm	1 ppm	≤30s	50 ppm	200 ppm	2..3
DPFQ 5000-NO2	NO ₂	0-20 ppm	0.1 ppm	≤25s	2 ppm	5 ppm	2..3
DPFQ 5000-PH3	PH ₃	0-20 ppm	0.1 ppm	≤15s	1 ppm	3 ppm	2..3
DPFQ 5000-C3H3N	C ₃ H ₃ N	0-100 ppm	1ppm≤15s	≤30s	5 ppm	15 ppm	2..3
DPFQ 5000-NO	NO	0-250 ppm	1ppm	≤25s	35 ppm	50 ppm	2..3
DPFQ 5000-HCL	HCL	0-20 ppm	1ppm	≤25s	3 ppm	5 ppm	2..3
DPFQ 5000-SO2	SO ₂	0-20 ppm	0.1ppm	≤15s	2 ppm	5 ppm	2..3
DPFQ 5000-CO2	CO ₂ (ir)	0-5000 ppm 0-5.00%vol	1ppm 0.01%vol	≤30 s	2000 ppm 1.00%vol	3000 ppm 2.00%vol	5...10
DPFQ 5000-CHCl ₃	CHCl ₃	0-100 ppm	1 ppm	≤15s	10 ppm	15 ppm	2..3
DPFQ 5000-CLO ₂	CLO ₂	0-50 ppm	0.1 ppm	≤30 s	5 ppm	10 ppm	2..3
DPFQ 5000-ETO	ETO	0-100 ppm	1ppm≤15s	≤30s	20 ppm	50 ppm	2..3
DPFQ 5000-CH2O	CH ₂ O	0-10 ppm	0.1 ppm	≤30s	1 ppm	2 ppm	2..3
DPFQ 5000-HF	HF	0-10 ppm	0.1 ppm	≤30s	1 ppm	2 ppm	2..3
DPFQ 5000-CH4	CH ₄ (IR)	0-5.00 %vol 0-100 %vol	0.01%vol 0.1%vol	≤10s	1% vol 3% vol	2% vol 5% vol	5..10
DPFQ 5000-C2H4	C ₂ H ₄	0-200 ppm	1ppm	≤25s	20 ppm	50 ppm	2..3
As for unlisted detected gas and measuring range, please contact with our company							

Installation and wiring

Detector should be installed 1m away from valves, piping interface, gas outlet port or leakage place and has no effect on the operation of other equipment. Try to avoid high temperature and high humidity environment.

Fixing height: when density of detected gas is greater than air, fixing height is 2m~3.5m; when density of detected gas is smaller than air, fixing height is 0.3~0.6m to the floor.

Sensor must be down fixed, locking nut should be fully tighten, detector front and back covers shall be completely covered. All these safety measures meet explosion-proof requirements.

It is recommend to install one detector in the space of 30m²~50m².

Fix detector on the wall, uninstal front cover, bring in transmission cables from inlet port, send rubber seal into internal shell. Connect guide lines to internal corresponding terminals according to marked color (see chart), make sure the wiring is correct, draw out excess cable, tighten locking nut, compact rubber seal, bind cable (explosion-proof design). Use explosion-proof hose may also be connected directly to the detector. Controller and detector is connected with shielded cable whose diameter is not less than 1.5 mm² and the transmission distance is less than 1000m. After checking the connection, tighten the front cover. According to user's site conditions, user can do the connection first, then fix detector on the wall.

